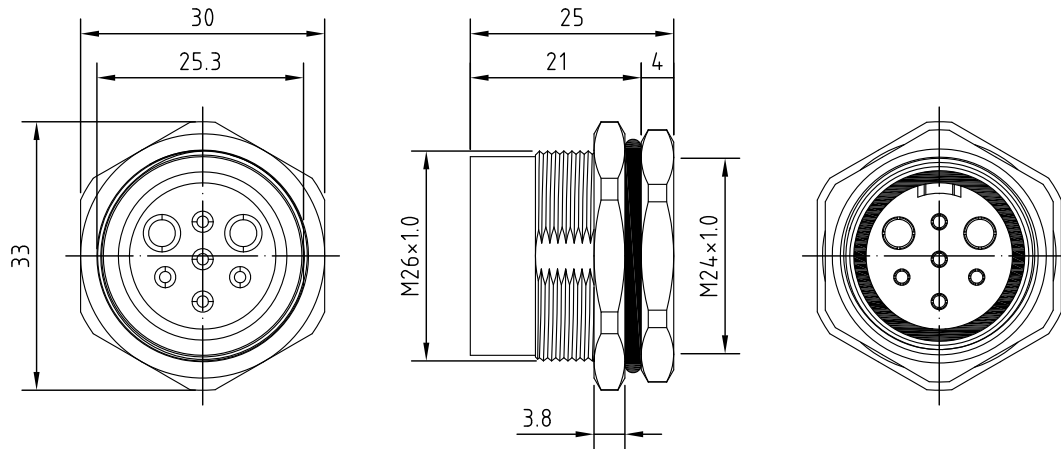


Recommended Panel cut-out



RoHS
TOLERANCE X±0.5 .X±0.3

REV.	Description	Date
6	rated voltage, contact resistance, insertion/withdrawal force revise	2016/4/19
7	add recommended panel cut-out	2018/4/16
8	rated current revise	2018/10/5
9	panel cut-out dimension revise	2020/9/16

Specification of connector

General Characteristics

- Locking system : screw M24
- Shell protection : IP67
- Rated voltage : 360V, 60V(9BP)
- Rated current : Large pin 35A
: Small pin 10A
- Contact resistance : Large pin <5mΩ
: Small pin <30mΩ
- Insertion force : <80N
- Withdrawal force : <80N

CONTACT ARRANGEMENT FRONT VIEW (FEMALE)									
	2AP	8P	9P	10P	3BP	7BP	9AP	9BP	
	2P	3AP	4P	5AP	5BP	5CP	6AP	6BP	7AP

5	Nut	Brass/Chromium plated
4	O ring	Rubber
3	Shell	Brass/Chromium plated
2	Body	PA
1	Pin	Brass/Gold plated
Item	Description	Material&Plating

Unicable Co., Ltd. 國陽電業有限公司
5F., No. 111-33, Sec. 4, San Ho Road., San Chung Dist., New Taipei City, Taiwan
http://www.unicable.com.tw Tel:+886-2-2286-2122 Fax:+886-2-2286-1010

DATE	2020/9/16	PART NO.	UT-SD259F2-XP
DWN	GINA	REV.	9
CHK			
ITEM	High Power M24	UNIT	MM